

# PIVOFLEX



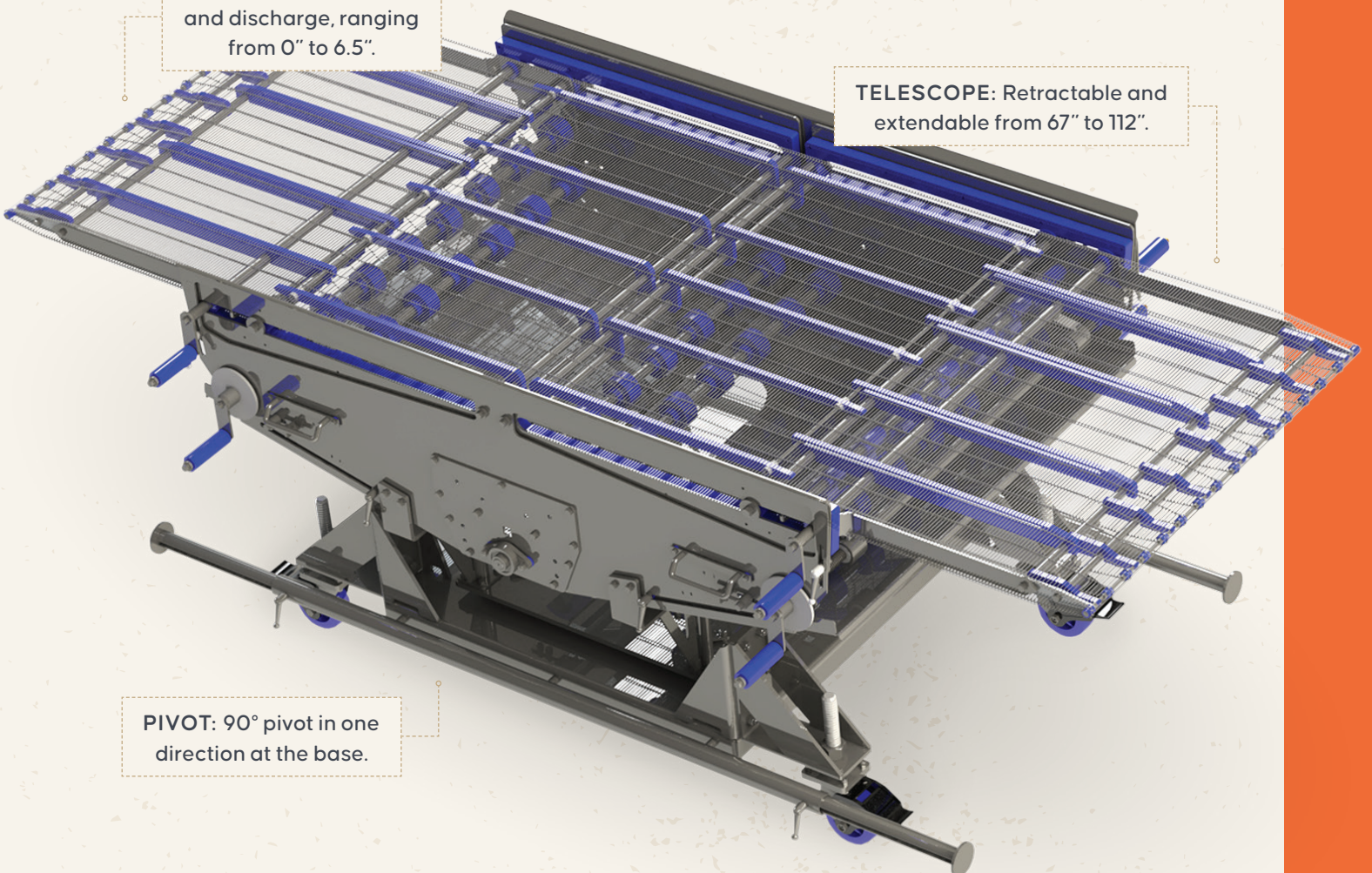
## More than One Way to Convey

As a transfer conveyor, the PivoFlex allows for easy sanitation with minimal line disruption—it contracts or extends, pivots or spins with a simple crank. You determine how products should move down the line, and the PivoFlex can change accordingly.

**PITCH:** Pitched infeed and discharge, ranging from 0° to 6.5°.

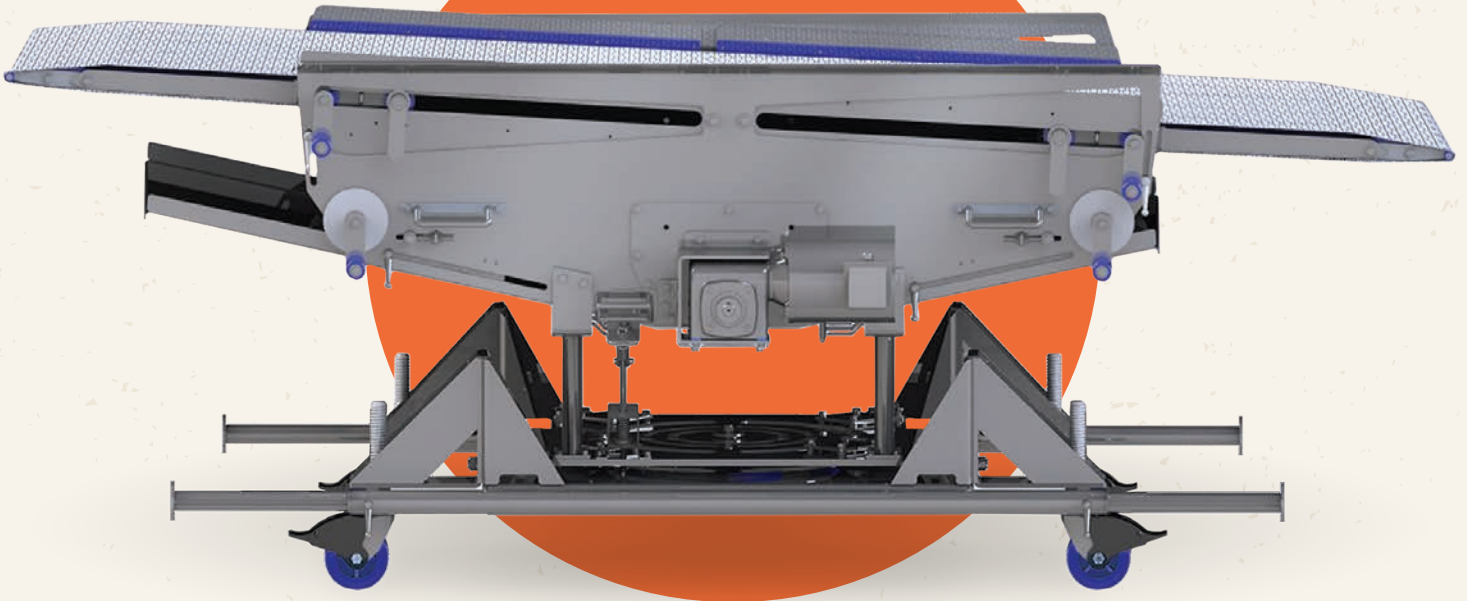
**TELESCOPE:** Retractable and extendable from 67" to 112".

**PIVOT:** 90° pivot in one direction at the base.





PREDUST › BATTER › BREAD › FRY



## PivoFlex Conveyor

Multiple functions and maximum flexibility with just a few handle cranks.

## Why It's Different

- Can telescope, pitch, and pivot to fit your line
- Stainless steel frame with built-in drip pans
- Four extendable bumpers for easy line setups
- Etched alignment guides for repeatable settings

### THE NOTHUM WAY

Since 1971, Nothum Food Processing Systems has been a leading manufacturer of batter/breading lines for the poultry, seafood, alternative protein, and appetizer industries.

We're a third-generation family-owned business, and we've built our reputation as experts in further processing by focusing on what matters: Making the very best equipment and always putting people first.

## The Bottom Line

- Clean product transfers
- Easy access for sanitation and maintenance
- Designed to feed directly into all Nothum equipment

Ask us how the PivoFlex Conveyor improves your production line.

**NOTHING BEATS A NOTHUM.**

NOTHUM.com  
417-831-2816

**NOTHUM**  
FOOD PROCESSING SYSTEMS